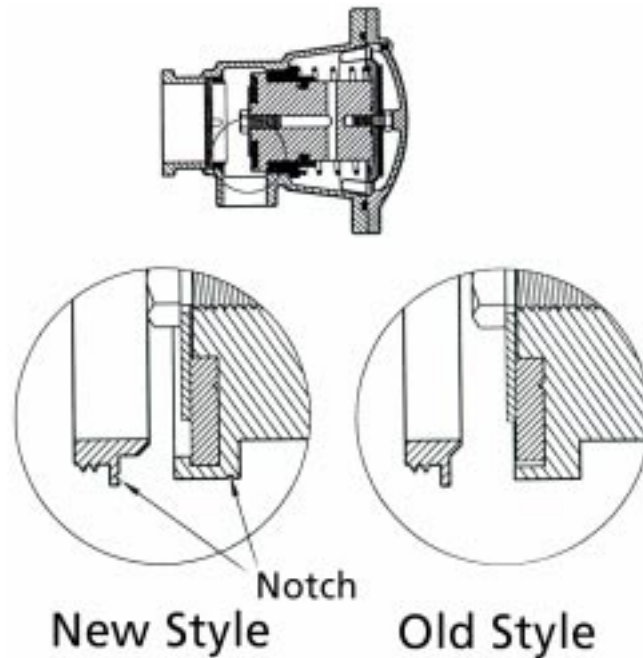


## Notice 97-001

The Wilkins Model 975 8" and 10" reduced pressure principle backflow prevention assemblies were originally Approved on 8 November 1991 and 24 May 1993 respectively, and removed from the Foundation's *List of Approved Backflow Prevention Assemblies* on 1 December 1994 due to the failure of the assemblies to meet one of the laboratory requirements while under re-evaluation. Notice 95-001 was issued on April 1995 regarding the modification to the relief valve stem which allowed the subject assemblies to pass the laboratory evaluation and appear on the 1 March 1995 *List* as Approved.

Since that time the manufacturer has made additional modifications to the disc retaining cup in the relief valve stem (Part #9711-5), and the relief valve seat (Part #9711-18) to improve the performance so that they will pass the laboratory evaluation test.



The manufacturer will include the following installation instructions with the new style components:

*When replacing the relief valve stem (Part #9711-5) or seat (Part #9711-18), be aware that any assembly made before 11/19/96 (Model 975 with serial number before B016064) has the old style stem and seat. These replacement parts are the new style. If you have to replace either of the old parts, then you must replace both the stem and seat at the same time since they are not interchangeable. The new style can be identified by a notch machined in each, see Figure 1. If you need any more information, please contact the factory.*

It should be noted that the failure of these assemblies to pass the laboratory evaluation does not indicate that they would fail to prevent backflow. The problem encountered in the laboratory was a technical issue and would not be noticed during the normal field test of the assembly. For more information, please contact the Foundation Engineering Staff. For correct replacement parts, please contact Wilkins Regulator Company.

Wilkins Regulator Company  
1747 Commerce Way  
Paso Robles, CA 93446  
(805) 238-7100 FAX (805) 237-3969